

## 600mm Electric Oven



### Product Features

- 62 litre capacity
- 5 cooking functions
- Knob controls
- A class energy rating (European standards)
- 5 shelf positions
- Closed door grilling
- 120 minute auto stop timer
- Single light
- Easy clean interior
- Removable triple glazed cool touch door
- Removable inner glass door panel
- Large viewing window
- 2 x telescopic shelves
- Automatic safety cut off
- Cavity cooling system
- 2 year warranty

### Accessories

- 2 x wire shelves
- 1 x grill pan, shelf, handle



### Easy to clean

An easy clean interior allows food particles to be easily wiped away whilst the oven door and inner glass panel can be removed to make cleaning the door and interior less awkward.

### Dual telescopic shelves

The dual telescopic shelves are strong enough to hold even the heaviest cookware.

### Large viewing window

Easily check the progress of your meal without having to open the door and let hot air escape.

### 120 minute timer

Easily monitor the progress of your meal with the 120 minute timer.

### Safety

Triple glazing and a cavity cooling system keeps the door, controls, and handle cool and protects surrounding cabinets from heat damage. Automatic safety cut off switches the oven off when the maximum operating time has been reached.

### Design

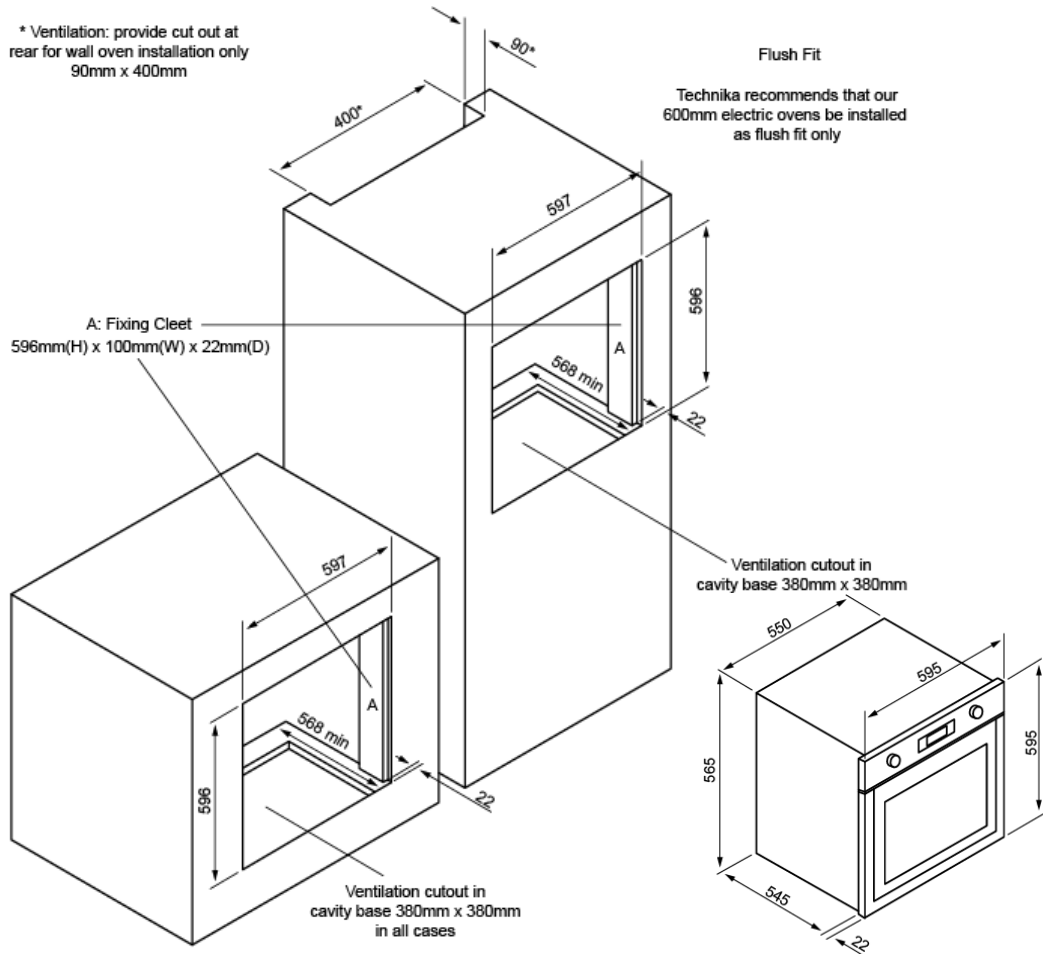
This oven has been designed to compliment all of the cooking appliances in Technika's range.

## 600mm Electric Oven

### Technical Features

- Connection 15amp
- Power 2.56kW
- Voltage 240V
- Frequency 50Hz

\* Ventilation: provide cut out at rear for wall oven installation only 90mm x 400mm



- All electrical connections must be performed by a licensed contractor
- All care must be taken to ensure the installation is properly earthed and conforms to local codes
- The oven must be installed in a heat resistant cabinet withstanding temperatures of no less than 75°C
- For low temperature cabinetry a 16mm clearance must be provided between the oven and the doors or drawers
- The oven requires a 50mm clearance from the benchtop or cooktop
- The cabinet must be completely sealed from other and adjacent cabinets to prevent condensation
- The oven must be secured by 4 screws to the cabinet
- The oven must be connected to a 15amp circuit
- The oven requires a ventilation cut out to allow proper air circulation, see installation sheet
- Technika will not be held responsible for damages to cabinetry due to incorrect installation